



Pressure switches - electronic with two digital switching outputs



Diagram with installation kit 20.515 for control panel installation

Product Description

- > Intelligent sensor for pressure monitoring
- > Adjustable with "teaching" feature
- > Switching point and hysteresis can be programmed as desired
- > Simple operation using button functions and LCD display
- > Small and robust

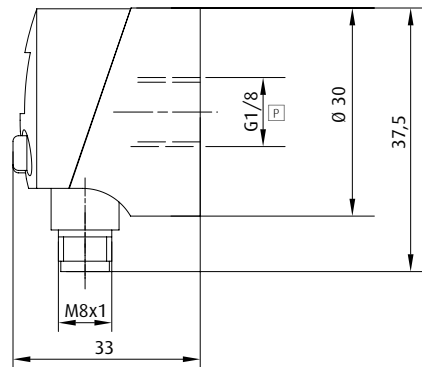
Notes

- > Transient emissions: EN 61000-6-4:2007; EN 61326-2-3:2006
- > Interference resistance: EN 61000-6-2:2005; EN 61326-2-3:2006
- > Vacuum values can be displayed and adjusted by the customer in following units: MPa, bar, psi

Technical data

Item no.	20.023
Measuring range [bar]	0 - 10
Digital switching outputs	2x PNP (NO/NC)
Repeat accuracy [%]	± 0.2 % from measuring range
Overpressure safety [bar]	0.2
Supply voltage [V]	11 - 30
Current consumption [mA]	< 55
Maximum switching current [mA]	125
Electric connection	Plug M8x1, 4-pin
Protection class	IP65
Suitable media	Filtered, oiled or unoled air or neutral gases
Operating temperature [°C]	0 - 50
Weight [g]	40
Suitable accessories	Connector cable 20.501 (p.717), Connector cable 20.502 (p.717), Mounting bracket 20.514 (p.699), Mounting bracket 20.515 (p.699)

Dimensions



= Compressed air connection



System monitoring | Vacuum and pressure gauges

Vacuum - and pressure gauge

Vacuum - and pressure gauge

With red-green indication



Vacuum gauge



Pressure gauge

Product Description

- > Visual monitoring of the vacuum and/or pressure level in gripper systems
- > Standardised design for flexible use in vacuum and/or pressure systems

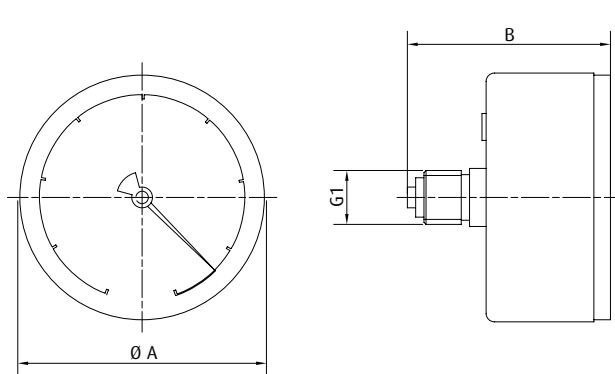
Technical data

Item no.	Measuring range [bar]	Measuring range [mbar]	Connection	Weight [g]
91.001	--	0 - -1,000	At the rear	45
91.001-R	--	0 - -1,000	At the rear	40
91.003	--	0 - -1,000	At the rear	90
91.000	--	0 - -1,000	At the bottom	47
91.002	--	0 - -1,000	At the bottom	92
91.004	--	0 - -1,000	At the bottom	975
91.013	1 - 10	--	At the bottom	90
91.014	1 - 10	--	At the rear	90

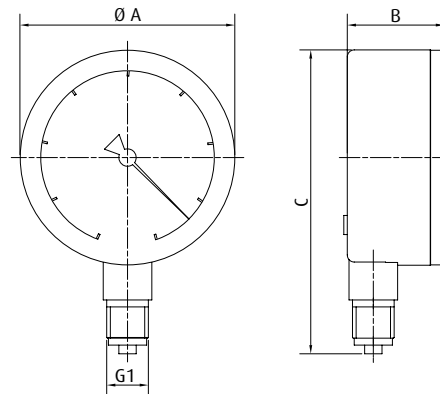
Dimensions

G1	Ø A [mm]	B [mm]	C [mm]
G1/8	40	41	--
R1/8	40	41	--
G1/4	63	49	--
G1/8	40	26.5	55.5
G1/4	63	27.5	86
G1/2	160	50	200
G1/4	63	27.5	86
G1/4	63	27.5	86

Dimensions



91.001 | 91.001-R | 91.003 | 91.014



91.000 | 91.002 | 91.004 | 91.013



Digital pressure gauge - connection at the bottom



Diagram with installation kit 20.515 for front panel mounting

Product Description

- > Visual monitoring of the vacuum and/or pressure level in gripper systems
- > Calibration feature
- > Very compact
- > LCD display with selectable pressure units
- > Robust aluminium housing

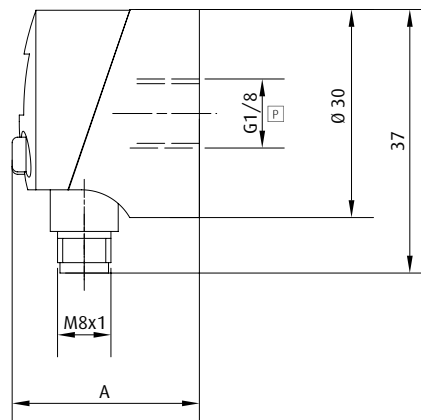
Notes

- > Vacuum values can be displayed and adjusted by the customer in following units: MPa, bar, psi

Technical data

Item no.	91.012
Measuring range [bar]	-1 - 1
Overpressure safety [bar]	5
Supply voltage [VDC]	10.8 - 30 (with reverse current protection)
Current consumption [mA]	< 30
Response time [ms]	2.5
Insulation resistance [mOhm]	> 100 (500 VDC)
Electric connection	Plug M8x1, 4-pin
Mounting position	any
EMI / EMC	According to EN 50081-1 / 50082-2
Operating temperature [°C]	-10 - 0
Weight [g]	45
Suitable accessories	Connector cable 20.501 (p.717), Connector cable 20.502 (p.717), Mounting bracket 20.514 (p.699), Mounting bracket 20.515 (p.699)

Dimensions



P = Pressure / Vacuum connection